

Exercise for the lecture
Wireless Sensor Networks
 Summer 2016
 Sheet 5

EXERCISE 6:

Consider the Distance Vector Routing protocol for the following network with four nodes and the given distances:

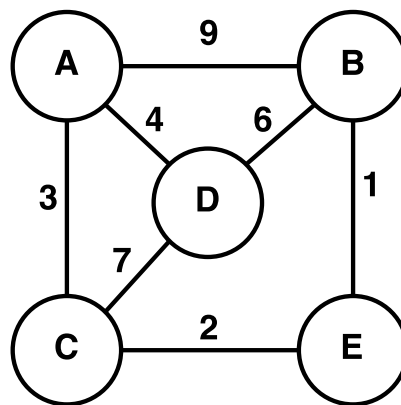


Figure 1: Distance Vector Protocol

1. Calculate the routing table entries for the routers.
2. What happens when router D fails? Calculate the new routing tables.
3. Now Router F appears with the following routing table. Now F advertises its routing table to B and B updates and sends it to F and so on. Compute the resulting routing table after each exchange.

F	via B	via G	via H
to B	3	-	-
to G	-	2	3
to H	-	4	1
to K	-	4	3

4. Draw the graph which can be deduced from all these changes.